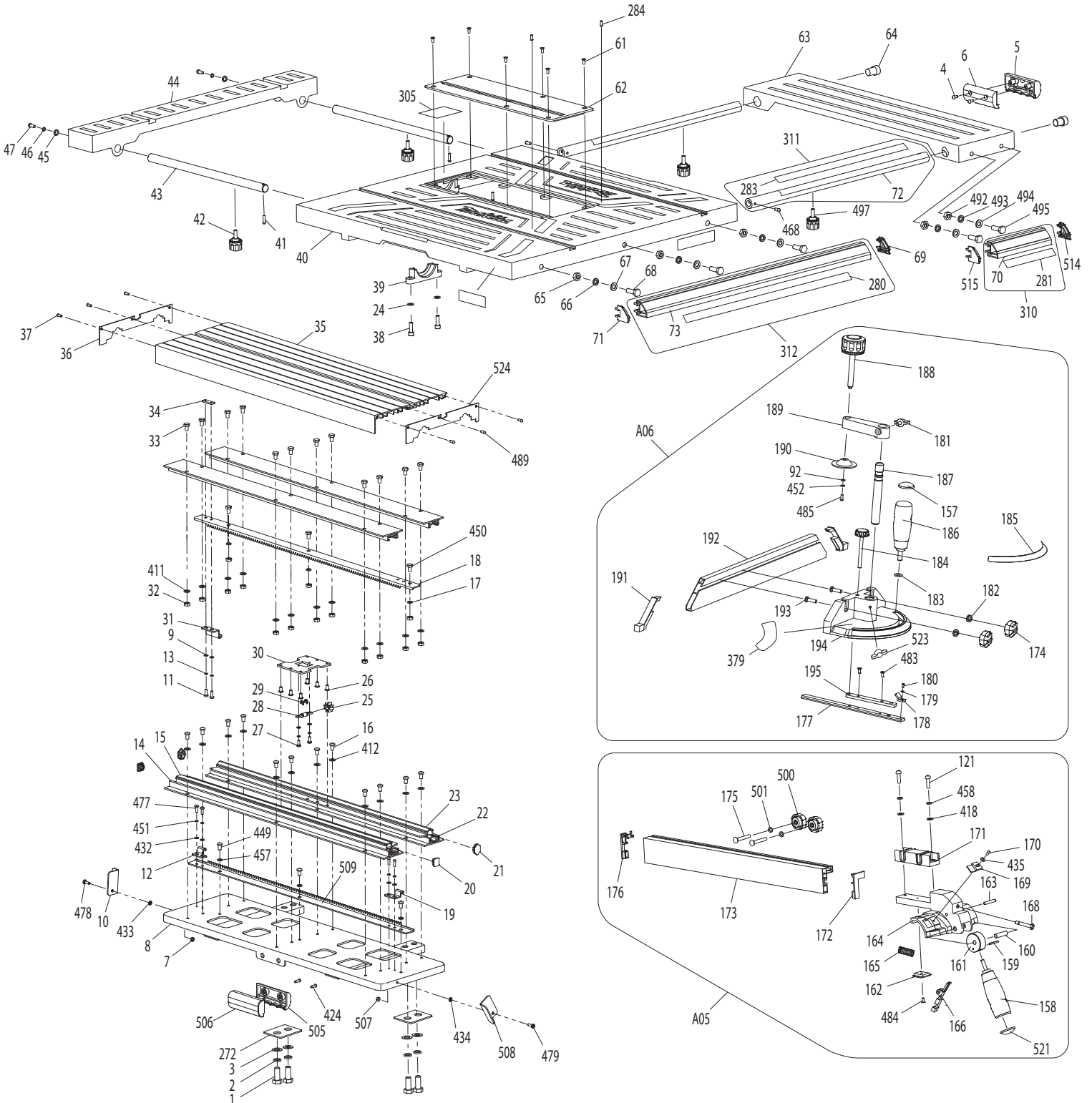
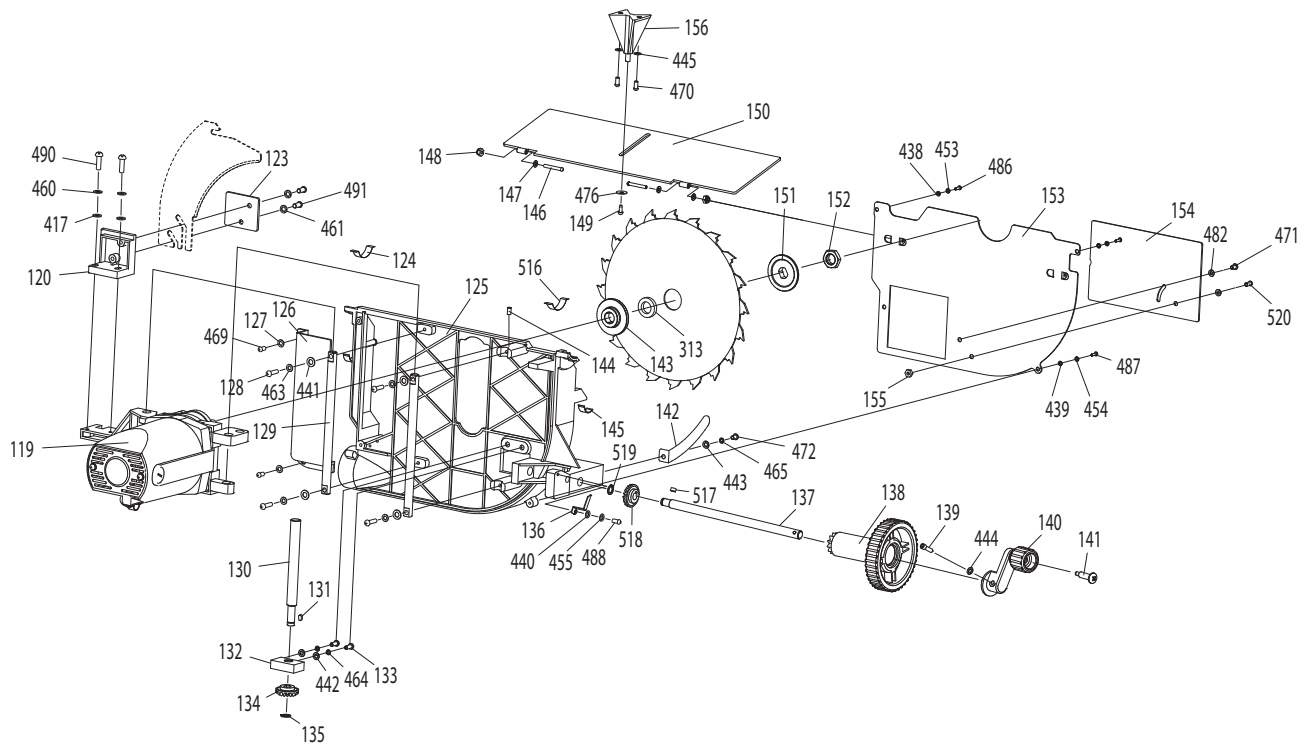
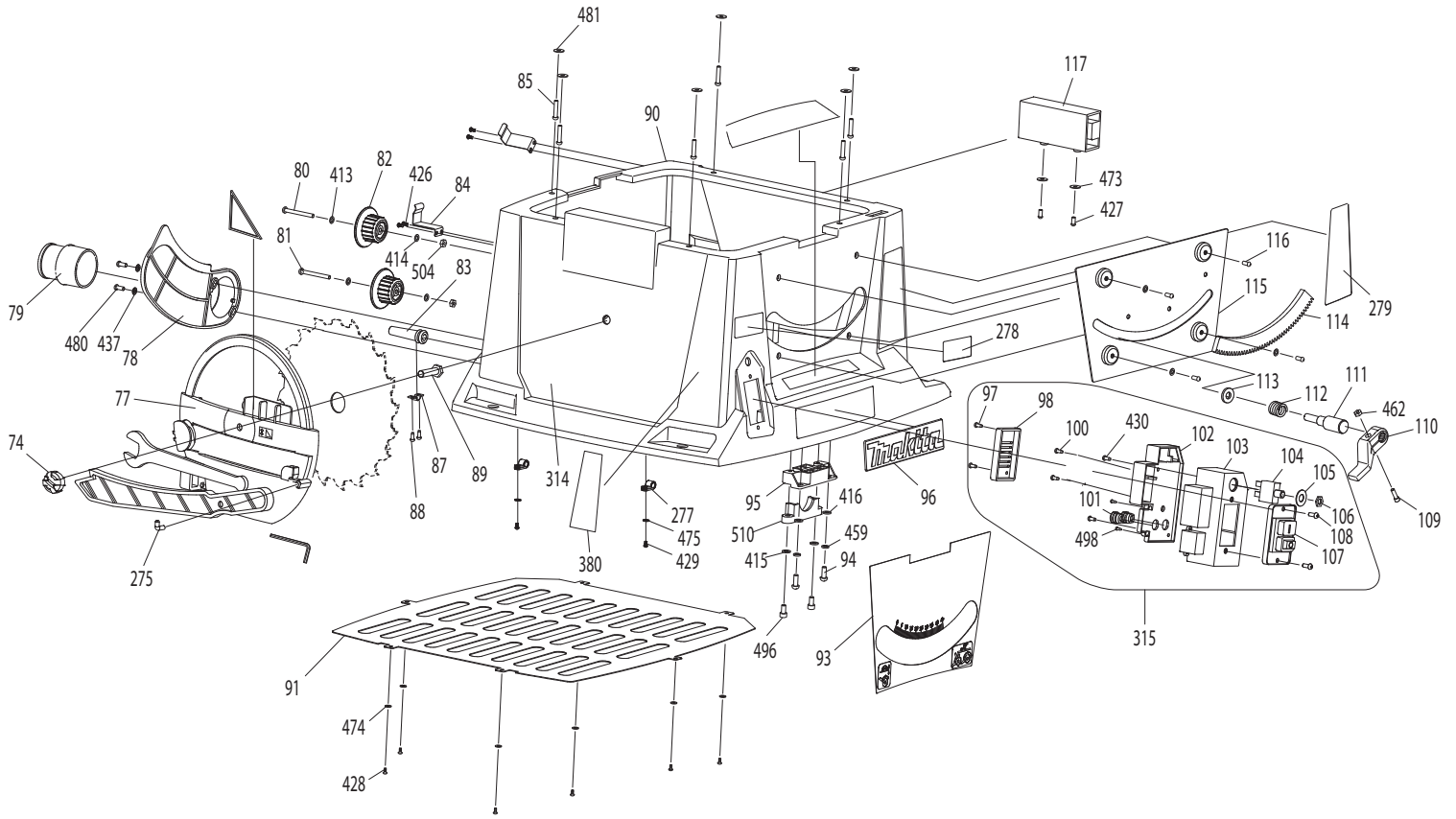
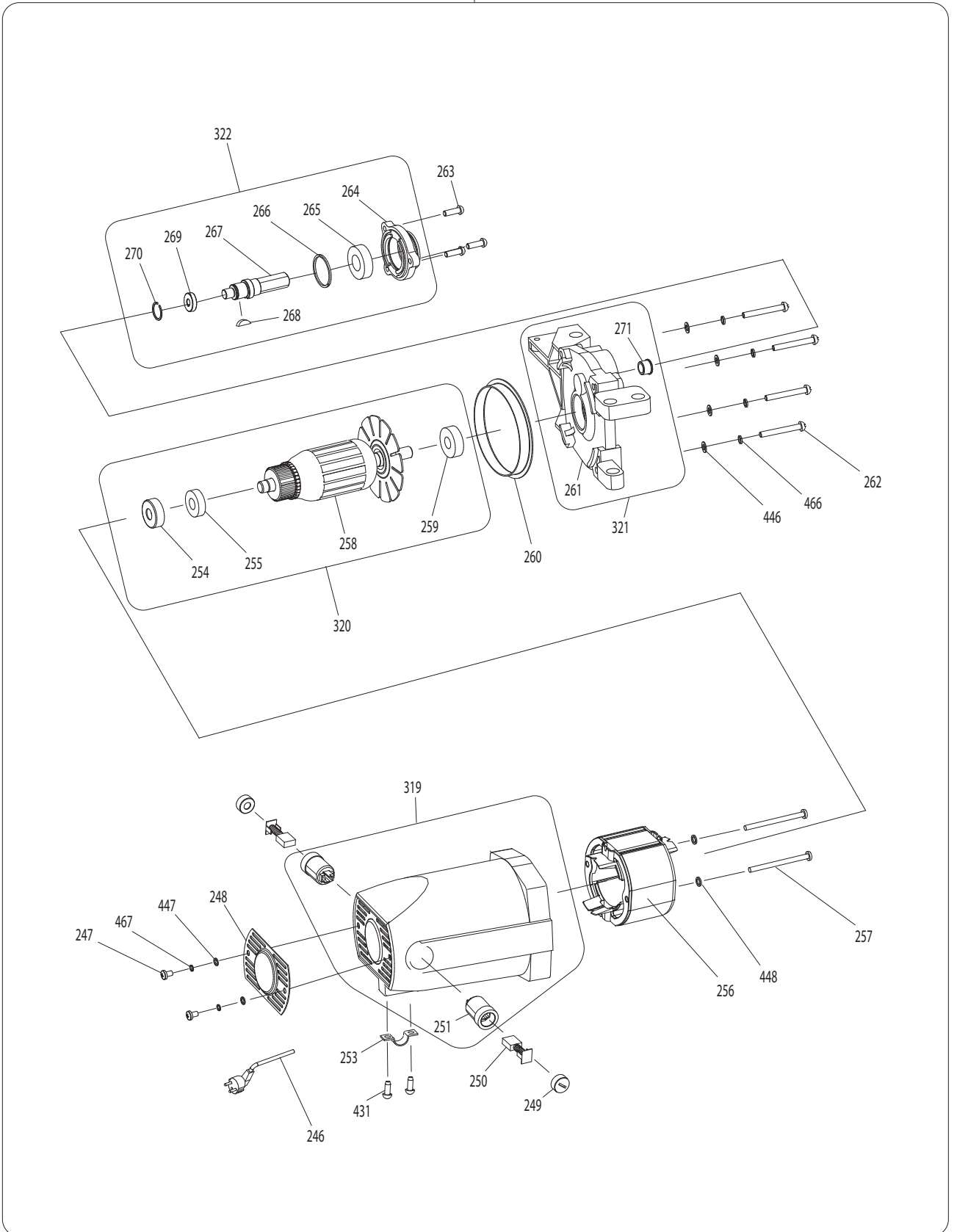




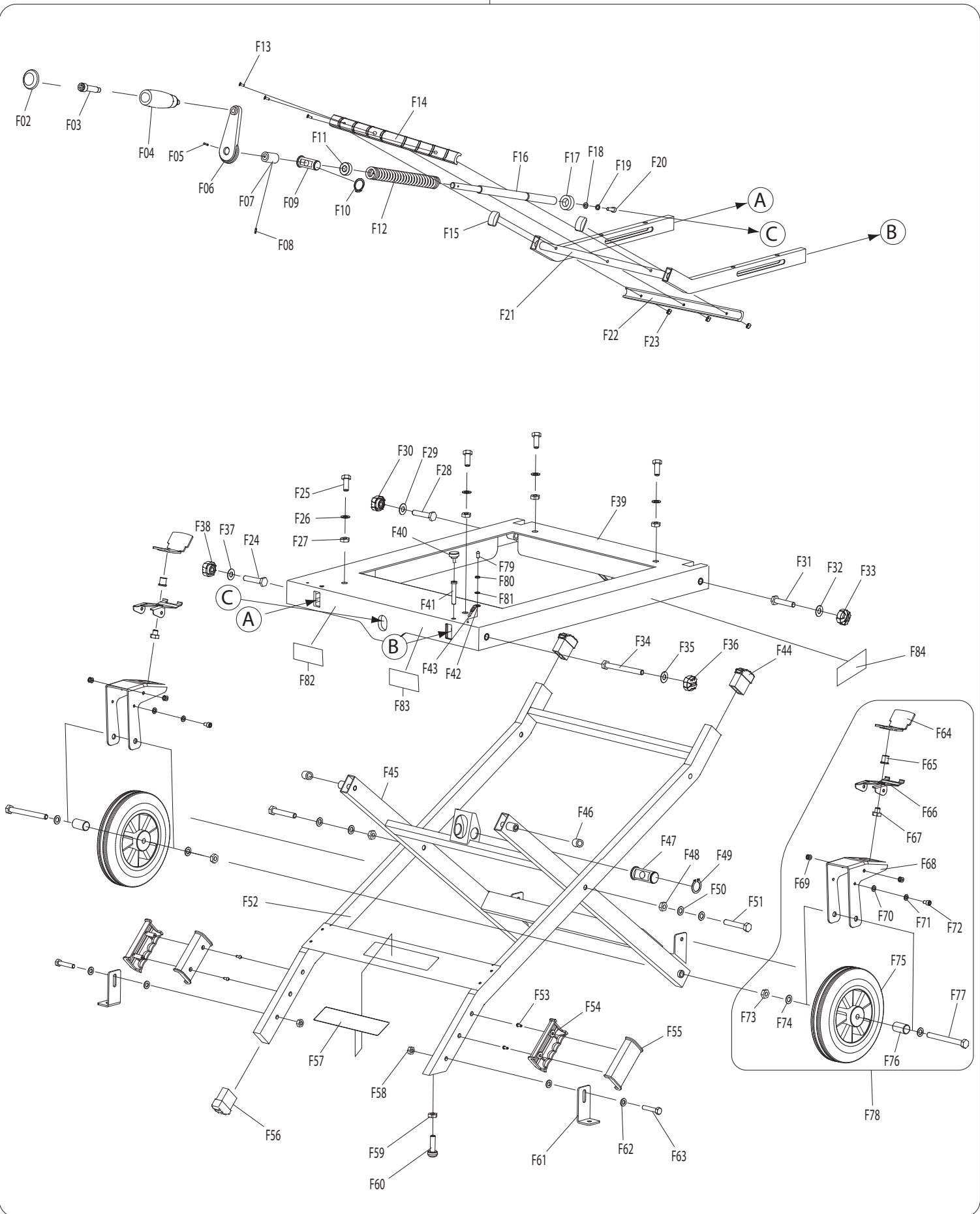
03 - 2013  
MLT100, MLT100X  
10" TABLE SAW











Item No	Type	Ref	Part No	Description	Qty	Unit
1			JM27000001	HEX.BOLT M10X35	4	PC.
2			JM27000002	SPRING WASHER 10	4	PC.
3			JM27000003	FLAT WASHER 10	4	PC.
4			JM27000004	CROSS HEAD SELF TAPPING SCREW	2	PC.
5			JM27000005	EXTERIOR HALF HANDLE	1	PC.
6			JM27000006	INTERIOR HALF HANDLE	1	PC.
7			JM27000007	HEX.LOCK NUT M4	1	PC.
8			JM27000008	BOTTOM	1	PC.
9			JM27000009	FLAT WASHER 4	2	PC.
10			JM27000010	LIMITED BRACKET	1	PC.
11			JM27000011	CROSS HEAD SCREW M4X12	2	PC.
12			JM27000012	FIX BRACKET B	1	PC.
13			JM27000013	SPRING WASHER 4	2	PC.
14			JM27000014	FIX FLAT RAIL	2	PC.
15			JM27000015	SLIDING FLAT RAIL	1	PC.
16			JM27000016	CROSS HEAD SCREW M6X10	1	PC.
17	1		JM27000017	SPRING WASHER 6	3	PC.
17			JM27000024	FLAT WASHER 6	3	PC.
18			JM27000018	SLIDING TABLE RACK RAIL	1	PC.
19			JM27000019	FIX BRACKET B	1	PC.
20			JM27000020	SLIDING FLAT RAIL COVER	2	PC.
21			JM27000021	SLIDING RAIL COVER	2	PC.
22			JM27000022	FIX RAIL I	2	PC.
23			JM27000023	SLIDING RAIL	1	PC.
24			JM27000024	FLAT WASHER 6	2	PC.
25			JM27000025	GEAR	1	PC.
26			JM27000026	RIVET 5X9	6	PC.
27			JM27000027	CROSS HEAD SCREW M4X10	2	PC.
28			JM27000028	SHAFT	1	PC.
29			JM27000029	RETAINING RING 6	1	PC.
30			JM27000030	SLIDING LIMITED PLATE	1	PC.
31			JM27000031	GEAR LIMITED C	1	PC.
32			JM27000032	HEX. NUT M6	12	PC.
33			JM27000033	HEX BOLT M6X10	12	PC.
34			JM27000034	CONNECTION NUT	1	PC.
35			JM27000035	SLIDING TABLE	1	PC.
36			JM27000036	SLIDING TABLE COVER	1	PC.
37			JM27000037	SELF TAPPING SCREW ST3.9X8	3	PC.
38			JM27000038	CROSS HEAD SCREW M6X16	2	PC.
39			JM27000039	FIX BRACKET A	1	PC.
40			JM27000041	MAIN TABLE B	1	PC.
		INC.		Item No. 305		
41			JM27000042	CROSS HEAD SCREW M5X10	2	PC.
42			JM27000043	LOCK KNOB	2	PC.
43			JM27000044	SLIDING BAR B	2	PC.
44			JM27000046	REAR EXTENSION TABLE	1	PC.
45			JM27000047	BIG FLAT WASHER 5	2	PC.
46			JM27000048	SPRING WASHER 5	2	PC.
47			JM27000049	CROSS HEAD SCREW M5X14	2	PC.
61			JM27000066	CROSS HEAD SUNK SCREW M4X8	6	PC.
62			JM27000067	TABLE INSERT	1	PC.
63			JM27000068	RIGHT EXTENSION TABLE	1	PC.
64			JM27000069	H.S.BOLT M14X20	2	PC.

Item No	Type	Ref	Part No	Description	Qty	Unit
65			JM27000070	HEX NUT M8	3	PC.
66			JM27000071	SPRING WASHER 8	3	PC.
67			JM27000072	FLAT WASHER 8	3	PC.
68			JM27000073	SQUARE NECK BOLT M8X25	3	PC.
69			JM27000074	COVER A	1	PC.
70			JM27000075	SUB FRONT RAIL	1	PC.
71			JM27000078	COVER B	1	PC.
72			JM27000079	SLIDING BAR A	2	PC.
73			JM27000082	FRONT RAIL	1	PC.
74			JM27000085	LOCK KNOB A	1	PC.
77			JM27000088	FIX PLATE	1	PC.
78			JM27000089	PROTECTION PLATE	1	PC.
79			JM27000090	DUST PORT - Use Sales# P-80022	1	PC.
79			P-80022	DUST PORT	1	PC.
80			JM27000091	HEX.BOLT M5X65	1	PC.
81			JM27000092	HEX.BOLT M5X55	1	PC.
82			JM27000093	CORD BRACKET	2	PC.
83	1		JM27000094	CORD PROTECTION TUBE	1	PC.
83	2		JM27000439	CORD PROTECTION TUBE	1	PC.
84			JM27000381	HOOK	2	PC.
85			JM27000096	CROSS HEAD SCREW M5X25	6	PC.
87	1		JM27000102	CLAMP PLATE	1	PC.
87	2		JM27000440	CLAMP PLATE	1	PC.
88			JM27000103	CROSS HEAD SELF TAPPING SCREW	2	PC.
89			JM27000104	HEX.BOLT M10X45	1	PC.
90			JM27000105	CABINET	1	PC.
91			JM27000108	BOTTOM	1	PC.
92			JM27000109	BIG FLAT WASHER 4	1	PC.
93			JM27000110	FRONT PANEL LABEL	1	PC.
94			JM27000111	HEX BOLT M6X16	2	PC.
95			JM27000112	BRACKET B	1	PC.
96			JM27000113	LOGO LABEL	1	PC.
97			JM27000114	CROSS HEAD SELF TAPPING SCREW	2	PC.
98			JM27000115	SOFT START DEVICE COVER	1	PC.
100			JM27000117	CROSS HEAD SELF TAPPING SCREW	2	PC.
101	1		JM27000118	STRAIN & RELIEF	2	PC.
101	2		JM27000441	STRAIN & RELIEF	2	PC.
102	1		JM27000119	SWITCH COVER	1	PC.
102	2		JM27000442	SWITCH COVER	1	PC.
103			JM27000120	SWITCH BOX	1	PC.
104			JM27000419	OVERLOAD SWITCH	1	PC.
105			JM27000122	OVERLOAD SWITCH LABEL	1	PC.
106			JM27000123	OVERLOAD SWITCH NUT	1	PC.
107			JM27000125	SWITCH B	1	PC.
108			JM27000136	CROSS HEAD SCREW M4X14	2	PC.
109			JM27000137	HEX.NUT M6X12	1	PC.
110			JM27000138	LOCK HANDLE	1	PC.
111			JM27000139	LOCK BOLT	1	PC.
112			JM27000140	TORSION SPRING	1	PC.
113			JM27000141	BUSH	1	PC.
114			JM27000142	RACK BRACKET	1	PC.
115			JM27000143	SUPPORT PLATE	1	PC.
116			JM27000144	CROSS HEAD SUNK SCREW M5X8	4	PC.

Item No	Type	Ref	Part No	Description	Qty	Unit
117			JM27000145	TUBE	1	PC.
119			JM27000362	MOTOR 120V (OLD)	1	PC.
		INC.		Item No. 246-250, 253, 256, 257, 260, 262, 263,		
		INC.		319-322, 431, 446-448, 466, 467		
120			JM27000148	BRACKET	1	PC.
121			JM27000149	H.S.BOLT M6X20	2	PC.
123			JM27000151	FIX PLATE	1	PC.
124			JM27000152	SLIDING PLATE	1	PC.
125			JM27000153	FRAME	1	PC.
126			JM27000154	COVER	1	PC.
127			JM27000155	FLAT WASHER 5	2	PC.
128			JM27000156	CROSS HEAD SCREW M5X20	2	PC.
129			JM27000157	BAR	2	PC.
130			JM27000158	ROD	1	PC.
131			JM27000159	KEY 4X8	1	PC.
132			JM27000160	ADJUSTING BRACKET	1	PC.
133			JM27000161	H.S.BOLT M5X20	2	PC.
134			JM27000162	BEVEL GEAR	1	PC.
135			JM27000163	RETAINING RING 10	1	PC.
136			JM27000164	POINTER	1	PC.
137			JM27000165	ROD	1	PC.
138			JM27000166	WHEEL	1	PC.
139			JM27000167	CROSS HEAD SCREW M5X12	1	PC.
140			JM27000168	KNOB	1	PC.
141			JM27000169	SCREW	1	PC.
142			JM27000170	PROTECTION PLATE	1	PC.
143			JM27000171	INNER FLANGE	1	PC.
144			JM27000172	H.S.BOLT WITH GLUE M6X12	1	PC.
145			JM27000173	PLATE	2	PC.
146			JM27000174	CROSS HEAD SCREW M3X25	2	PC.
147			JM27000175	BIG WASHER 3	2	PC.
148			JM27000176	HEX LOCK NUT M3	2	PC.
149			JM27000177	SELF TAPPING SCREW ST3.9X10	1	PC.
150			JM27000178	PROTECTION PLATE	1	PC.
151			JM27000179	OUTER FLANGE	1	PC.
152			JM27000180	NUT M16	1	PC.
153			JM27000181	PROTECTION PLATE	1	PC.
154			JM27000182	PLATE	1	PC.
155			JM27000183	NUT M5	1	PC.
156			JM27000184	SUPPORT BRACKET	1	PC.
157			JM27000185	COVER	1	PC.
158			JM27000186	HANDLE	1	PC.
159			JM27000187	PIN 3X30	1	PC.
160			JM27000188	PIN	1	PC.
161			JM27000189	ECCENTRIC WHEEL	1	PC.
162			JM27000190	FRICTION PAD	1	PC.
163			JM27000191	PIN	1	PC.
164			JM27000192	BRACKET	1	PC.
165			JM27000193	PRESSION SPRING	1	PC.
166			JM27000194	PAW	1	PC.
168			JM27000196	SCREW	1	PC.
169			JM27000197	POINTER	1	PC.
170			JM27000198	CROSS HEAD SCREW M4X8	1	PC.



Item No	Type	Ref	Part No	Description	Qty	Unit
171			JM27000199	BRACKET	1	PC.
172			JM27000200	INSERT	1	PC.
173			JM27000201	RIP FENCE	1	PC.
174			JM27000203	LOCK NUT	2	PC.
175			JM27000204	SQUARE NECK BOLT M6X60	2	PC.
176			JM27000205	INSERT	1	PC.
177			JM27000206	SLIDING BAR	1	PC.
178			JM27000207	POINTER	1	PC.
179			JM27000208	FLAT WASHER 3	1	PC.
180			JM27000209	CROSS HEAD SCREW M3X8	1	PC.
181			JM27000210	WING NUT	1	PC.
182			JM27000211	BIG WASHER 6	2	PC.
183			JM27000212	WASHER	1	PC.
184			JM27000213	LOCK KNOB	1	PC.
185			JM27000214	SCALE LABEL	1	PC.
186			JM27000215	HANDLE	1	PC.
187			JM27000216	PIN	1	PC.
188			JM27000217	THREAD ROD	1	PC.
189			JM27000218	LINK	1	PC.
190			JM27000219	PLATE	1	PC.
191			JM27000220	INSERT	2	PC.
192			JM27000221	FENCE	1	PC.
193			JM27000222	SQUARE NECK BOLT M6X30	2	PC.
194			JM27000223	MITER GUAGE	1	PC.
195			JM27000225	PAD	1	PC.
246			JM23000163	CORD W/PLUG 2P-14-2.8M	1	PC.
247			JM27000292	CROSS HEAD SCREW M5X8	2	PC.
248			JM27000293	COVER	1	PC.
249			JM27000294	BRUSH CAP	2	PC.
250			JM23000123	CARBON BRUSH 2PC/SET	1	SET
251			JM27000296	BRUSH HOLDER	2	PC.
253			JM27000299	CLAMP PLATE	1	PC.
254			JM27000361	ABSORB RING	1	PC.
255	1		JM27000301	BEARING 6001-2Z	1	PC.
255	2		JM27000445	BEARING 6001DDW	1	PC.
256			JM27000303	STATOR (120V)	1	PC.
257			JM27000305	CROSS HEAD SELF TAPPING SCREW	2	PC.
258			JM27000307	ROTER(120V)	1	PC.
259	1		JM27000312	BEARING 6201-2Z	1	PC.
259	2		JM27000446	BEARING 6201DDW	1	PC.
260			JM27000313	RING	1	PC.
261	1		JM27000314	GEAR BOX (TYPE 1) - N/L/A	1	PC.
261	2		JM27000423	GEAR BOX	1	PC.
262			JM27000316	CROSS HEAD SCREW M5X35	4	PC.
263			JM27000317	CROSS HEAD SUNK SCREW M5X16	3	PC.
264			JM27000318	GEAR COVER	1	PC.
265			JM27000319	BEARING 6003-2Z	1	PC.
266			JM27000320	RETAINING RING 35	1	PC.
267			JM27000321	OUTER SHAFT	1	PC.
268			JM27000323	KEY 5X6.5X16	1	PC.
269			JM27000324	GEAR	1	PC.
270			JM27000325	RETAINING RING 16	1	PC.
271			JM27000326	BUSH	1	PC.

Item No	Type	Ref	Part No	Description	Qty	Unit
272			JM27000327	SLIDING TABLE PAD	2	PC.
275			JM27000330	HOOK	1	PC.
277			JM27000332	CLAMP	2	PC.
278			JM27080019	NAME PLATE	1	PC.
279			JM27080075	WARNING LABEL	1	PC.
280			JM27000334	SCALE LABEL(MM/IN SCALE)	1	PC.
281			JM27000336	SCALE LABEL(MM/IN SCALE)	1	PC.
283			JM27000338	SCALE LABEL(MM/IN SCALE)	2	PC.
284			JM27000339	H.S.BOLT WITH GLUE M6X20	2	PC.
288			JM27080060	WARNING LABEL	1	PC.
305			JM27000356	PLATE	1	PC.
		INC.		Item No. 288, 327-353, 355-363, 366-374, 544-564		
310			JM27000077	SUB FRONT RAIL ASSEMBLY (MM/ I)	1	PC.
		INC.		Item No. 70, 281		
311			JM27000081	SLIDING BAR A ASSEMBLY (MM/ IN)	1	PC.
				Item No. 72, 283		
312			JM27000084	FRONT RAIL ASSEMBLY (MM/ INSCA)	1	PC.
		INC.		Item No. 73, 280		
313			JM27000101	BLADE INNER LING 25.4	1	PC.
314			JM27000388	CABINET ASSEMBLY(E)	1	PC.
		INC.		Item No. 90, 93, 96, 279, 380		
315			JM27000133	SWITCH ASSI 7 SWB SOX CAX	1	PC.
		INC.		Item No. 97, 98, 100-108, 430, 498		
319			JM27000298	MOTOR HOUSE ASSEMBLY	1	PC.
		INC.		Item No. 251		
320			JM27000310	ROTER(120V) ASSY	1	PC.
		INC.		Item No. 254 ,255, 258, 259		
321	1		JM27000315	GEAR BOX ASSEMBLY - N/L/A	1	PC.
	1	INC.		Item No. 261, 271		
321	2		JM27000424	GEAR BOX ASSEMBLY	1	PC.
		INC.		Item No. 261, 271		
322			JM27000322	OUTER SHAFT ASSEMBLY	1	PC.
		INC.		Item No. 264-270		
327			265381-1	HEX. BOLT M6X16	2	PC.
328			345936-9	PRESSURE PLATE	1	PC.
329			345940-8	RIVING KNIFE	1	PC.
330			231793-0	TENSION SPRING 5	1	PC.
331			961013-5	STOP RING E-7	1	PC.
332			346089-7	SUPPORT PLATE	1	PC.
333			911113-1	PAN HEAD SCREW M4X10	2	PC.
334			266273-7	HEX. SOCKET HEAD BOLT M4X12	1	PC.
335			318282-3	KNIFE HOLDER	1	PC.
336			234109-8	COMPRESSION SPRING 12	1	PC.
337			325674-9	PRESSURE SHAFT	1	PC.
338			346090-2	WIRE HOLDER	1	PC.
339			941052-1	FLAT WASHER 4	1	PC.
340			922107-1	HEX. SOCKET HEAD BOLT M4X8	1	PC.
341			345938-5	HOOK PLATE	1	PC.
342			687668-5	STRAIN RELIEF	1	PC.
343			911213-7	PAN HEAD SCREW M5X12	1	PC.
344			257672-4	SLEEVE 5	1	PC.
345			168479-2	WIRE	1	PC.
346			JM27000383	LEVER STAY	1	PC.

Item No	Type	Ref	Part No	Description	Qty	Unit
347			165509-0	RELEASE LEVER	1	PC.
348			421818-0	RUBBER CAP	2	PC.
349			345933-5	LOCK LEVER	1	PC.
350			324902-9	LOCK SHAFT L	1	PC.
351			941201-0	FLAT WASHER 8	1	PC.
352			257771-2	SLEEVE 8	1	PC.
353			951104-0	SPRING PIN 4-12	1	PC.
355			188563-7	GUARD SET	1	SET
356			257770-4	SLEEVE 14	1	PC.
357			345932-7	GUARD SUPPORT	1	PC.
358			324903-7	LOCK SHAFT S	1	PC.
359			345934-3	LEVER HOLDER	1	PC.
360			318281-5	TOP GUARD BASE	1	PC.
361			266213-5	H.S.SET SCREW(FLAT POINT)M5X12	2	PC.
362			253011-6	FLAT WASHER 6	1	PC.
363			252014-7	HEX. LOCK NUT M6-10	1	PC.
366			931302-2	HEX. NUT M6	1	PC.
367			941151-9	FLAT WASHER 6	1	PC.
368			JM27000379	TOP GUARD PLATE	1	PC.
369			921361-4	HEX. BOLT M6X40	1	PC.
370			231542-5	TORSION SPRING 17	1	PC.
371			331825-4	RING 8	2	PC.
372			345939-3	FINGER	2	PC.
373			331834-3	SLEEVE 6	1	PC.
374			231541-7	TORSION SPRING 17	1	PC.
379			JM27080086	WARNING LABEL	1	PC.
380			JM27080095	WARNING LABEL	1	PC.
411			JM27000024	FLAT WASHER 6	12	PC.
412			JM27000024	FLAT WASHER 6	12	PC.
413			JM27000024	FLAT WASHER 6	2	PC.
414			JM27000024	FLAT WASHER 6	2	PC.
415			JM27000024	FLAT WASHER 6	2	PC.
416			JM27000024	FLAT WASHER 6	2	PC.
417			JM27000024	FLAT WASHER 6	2	PC.
418			JM27000024	FLAT WASHER 6	2	PC.
424			JM27000004	CROSS HEAD SELF TAPPING SCREW	2	PC.
426			JM27000004	CROSS HEAD SELF TAPPING SCREW	2	PC.
427			JM27000004	CROSS HEAD SELF TAPPING SCREW	2	PC.
428			JM27000004	CROSS HEAD SELF TAPPING SCREW	6	PC.
429			JM27000004	CROSS HEAD SELF TAPPING SCREW	2	PC.
430			JM27000004	CROSS HEAD SELF TAPPING SCREW	2	PC.
431			JM27000004	CROSS HEAD SELF TAPPING SCREW	2	PC.
432			JM27000009	FLAT WASHER 4	4	PC.
433			JM27000009	FLAT WASHER 4	1	PC.
434			JM27000009	FLAT WASHER 4	1	PC.
435			JM27000009	FLAT WASHER 4	1	PC.
437			JM27000009	FLAT WASHER 4	2	PC.
438			JM27000009	FLAT WASHER 4	2	PC.
439			JM27000009	FLAT WASHER 4	2	PC.
440			JM27000009	FLAT WASHER 4	1	PC.
441			JM27000155	FLAT WASHER 5	2	PC.
442			JM27000155	FLAT WASHER 5	2	PC.
443			JM27000155	FLAT WASHER 5	1	PC.

Item No	Type	Ref	Part No	Description	Qty	Unit
444			JM27000155	FLAT WASHER 5	1	PC.
445			JM27000155	FLAT WASHER 5	2	PC.
446			JM27000155	FLAT WASHER 5	4	PC.
447			JM27000155	FLAT WASHER 5	2	PC.
448			JM27000155	FLAT WASHER 5	2	PC.
449			JM27000016	CROSS HEAD SCREW M6X10	3	PC.
450			JM27000033	HEX BOLT M6X10	3	PC.
451			JM27000013	SPRING WASHER 4	4	PC.
452			JM27000013	SPRING WASHER 4	1	PC.
453			JM27000013	SPRING WASHER 4	2	PC.
454			JM27000013	SPRING WASHER 4	2	PC.
455			JM27000013	SPRING WASHER 4	1	PC.
457			JM27000017	SPRING WASHER 6	3	PC.
458			JM27000017	SPRING WASHER 6	2	PC.
459			JM27000017	SPRING WASHER 6	2	PC.
460			JM27000017	SPRING WASHER 6	2	PC.
461			JM27000017	SPRING WASHER 6	2	PC.
462			JM27000032	HEX. NUT M6	1	PC.
463			JM27000048	SPRING WASHER 5	2	PC.
464			JM27000048	SPRING WASHER 5	2	PC.
465			JM27000048	SPRING WASHER 5	1	PC.
466			JM27000048	SPRING WASHER 5	4	PC.
467			JM27000048	SPRING WASHER 5	2	PC.
468			JM27000042	CROSS HEAD SCREW M5X10	2	PC.
469			JM27000042	CROSS HEAD SCREW M5X10	2	PC.
470			JM27000042	CROSS HEAD SCREW M5X10	2	PC.
471			JM27000042	CROSS HEAD SCREW M5X10	2	PC.
472			JM27000042	CROSS HEAD SCREW M5X10	1	PC.
473			JM27000109	BIG FLAT WASHER 4	2	PC.
474			JM27000109	BIG FLAT WASHER 4	6	PC.
475			JM27000109	BIG FLAT WASHER 4	2	PC.
476			JM27000109	BIG FLAT WASHER 4	1	PC.
477			JM27000011	CROSS HEAD SCREW M4X12	4	PC.
478			JM27000011	CROSS HEAD SCREW M4X12	1	PC.
479			JM27000011	CROSS HEAD SCREW M4X12	1	PC.
480			JM27000011	CROSS HEAD SCREW M4X12	2	PC.
481			JM27000047	BIG FLAT WASHER 5	6	PC.
482			JM27000047	BIG FLAT WASHER 5	2	PC.
483			JM27000066	CROSS HEAD SUNK SCREW M4X8	2	PC.
484			JM27000066	CROSS HEAD SUNK SCREW M4X8	1	PC.
485			JM27000027	CROSS HEAD SCREW M4X10	1	PC.
486			JM27000027	CROSS HEAD SCREW M4X10	2	PC.
487			JM27000027	CROSS HEAD SCREW M4X10	2	PC.
488			JM27000027	CROSS HEAD SCREW M4X10	1	PC.
489			JM27000037	SELF TAPPING SCREW ST3.9X8	3	PC.
490			JM27000149	H.S.BOLT M6X20	2	PC.
491			JM27000149	H.S.BOLT M6X20	2	PC.
492			JM27000070	HEX NUT M8	2	PC.
493			JM27000071	SPRING WASHER 8	2	PC.
494			JM27000072	FLAT WASHER 8	2	PC.
495			JM27000073	SQUARE NECK BOLT M8X25	2	PC.
496			JM27000038	CROSS HEAD SCREW M6X16	2	PC.
497			JM27000043	LOCK KNOB	2	PC.

Item No	Type	Ref	Part No	Description	Qty	Unit
498			JM27000114	CROSS HEAD SELF TAPPING SCREW	2	PC.
500			JM27000203	LOCK NUT	2	PC.
501			JM27000211	BIG WASHER 6	2	PC.
504			JM27000051	LOCK NUT M6	2	PC.
505			JM27000005	EXTERIOR HALF HANDLE	1	PC.
506			JM27000006	INTERIOR HALF HANDLE	1	PC.
507			JM27000007	HEX.LOCK NUT M4	1	PC.
508			JM27000010	LIMITED BRACKET	1	PC.
509			JM27000018	SLIDING TABLE RACK RAIL	1	PC.
510			JM27000039	FIX BRACKET A	1	PC.
514			JM27000074	COVER A	1	PC.
515			JM27000078	COVER B	1	PC.
516			JM27000152	SLIDING PLATE	1	PC.
517			JM27000159	KEY 4X8	1	PC.
518			JM27000162	BEVEL GEAR	1	PC.
519			JM27000163	RETAINING RING 10	1	PC.
520			JM27000167	CROSS HEAD SCREW M5X12	1	PC.
521			JM27000185	COVER	1	PC.
523			JM27000210	WING NUT	1	PC.
524			JM27000036	SLIDING TABLE COVER	1	PC.
544			911113-1	PAN HEAD SCREW M4X10	2	PC.
545			911113-1	PAN HEAD SCREW M4X10	2	PC.
546			911113-1	PAN HEAD SCREW M4X10	2	PC.
547			911113-1	PAN HEAD SCREW M4X10	2	PC.
548			941052-1	FLAT WASHER 4	1	PC.
549			922107-1	HEX. SOCKET HEAD BOLT M4X8	1	PC.
550			687668-5	STRAIN RELIEF	1	PC.
551			911213-7	PAN HEAD SCREW M5X12	2	PC.
552			911213-7	PAN HEAD SCREW M5X12	1	PC.
553			911213-7	PAN HEAD SCREW M5X12	1	PC.
554			421818-0	RUBBER CAP	1	PC.
555			345933-5	LOCK LEVER	1	PC.
556			941201-0	FLAT WASHER 8	1	PC.
557			257771-2	SLEEVE 8	1	PC.
558			257771-2	SLEEVE 8	1	PC.
559			257771-2	SLEEVE 8	1	PC.
560			951104-0	SPRING PIN 4-12	1	PC.
561			257770-4	SLEEVE 14	1	PC.
562			345932-7	GUARD SUPPORT	1	PC.
563			252014-7	HEX. LOCK NUT M6-10	1	PC.
564			941151-9	FLAT WASHER 6	1	PC.
E01			JM27000447	SWITCH PANEL (Added)	1	PC.
F02			JM27000185	COVER	1	PC.
F03			JM27000226	SCREW	1	PC.
F04			JM27000227	HANDLE	1	PC.
F05			JM27000228	PIN 3X25	1	PC.
F06			JM27000229	ARM	1	PC.
F07			JM27000230	BUSH	1	PC.
F08			JM27000231	H.S.BOLT M6X10	1	PC.
F09			JM27000232	PIN	1	PC.
F10			JM27000233	RETAINING RING 20	1	PC.
F11			JM27000234	BEARING 9	1	PC.
F12			JM27000235	PRESSION SPRING	1	PC.

Item No	Type	Ref	Part No	Description	Qty	Unit
F13			JM27000236	CROSS HEAD SUNK SCREW M4X28	3	PC.
F14			JM27000237	HANDLE	1	PC.
F15			JM27000238	COVER	2	PC.
F16			JM27000239	ROD	1	PC.
F17			JM27000240	BEARING 17	1	PC.
F18			JM27000211	BIG WASHER 6	1	PC.
F19			JM27000017	SPRING WASHER 6	1	PC.
F20			JM27000241	H.S.BOLT M6X16	1	PC.
F21			JM27000242	HANDLE	1	PC.
F22			JM27000243	HANDLE	1	PC.
F23			JM27000244	HEX NUT M4	3	PC.
F24			JM27000253	BOLT	1	PC.
F25			JM27000001	HEX.BOLT M10X35	4	PC.
F26			JM27000003	FLAT WASHER 10	4	PC.
F27			JM27000245	HEX NUT M10	4	PC.
F28			JM27000246	HEX BOLT M10X55	1	PC.
F29			JM27000003	FLAT WASHER 10	1	PC.
F30			JM27000085	LOCK KNOB A	1	PC.
F31			JM27000246	HEX BOLT M10X55	1	PC.
F32			JM27000003	FLAT WASHER 10	1	PC.
F33			JM27000085	LOCK KNOB A	1	PC.
F34			JM27000253	BOLT	1	PC.
F35			JM27000003	FLAT WASHER 10	1	PC.
F36			JM27000085	LOCK KNOB A	1	PC.
F37			JM27000003	FLAT WASHER 10	1	PC.
F38			JM27000085	LOCK KNOB A	1	PC.
F39			JM27000247	BASE	1	PC.
F40			JM27000248	KNOB	1	PC.
F41			JM27000249	PIN	1	PC.
F42			JM27000250	CONNECTOR	1	PC.
F43			JM27000251	CHAIN	1	PC.
F44			JM27000252	PAD	2	PC.
F45			JM27000276	STAND	1	PC.
F46			JM27000254	BUSH	2	PC.
F47			JM27000275	NUT	1	PC.
F48			JM27000255	HEX.NUT M10	2	PC.
F49			JM27000274	RETAINING RING 24	1	PC.
F50			JM27000003	FLAT WASHER 10	4	PC.
F51			JM27000246	HEX BOLT M10X55	2	PC.
F52			JM27000256	BRACKET	1	PC.
F53			JM27000004	CROSS HEAD SELF TAPPING SCREW	4	PC.
F54			JM27000257	HANDLE	2	PC.
F55			JM27000258	HANDLE	2	PC.
F56			JM27000252	PAD	1	PC.
F57			JM27080061	LOGO LABEL	1	PC.
F58			JM27000262	LOCK NUT M8	2	PC.
F59			JM27000263	NUT	1	PC.
F60			JM27000264	FEET	1	PC.
F61			JM27000260	CONNECTION PLATE	2	PC.
F62			JM27000261	BIG WASHER 8	4	PC.
F63			JM27000259	HEX.BOLT M8X40	2	PC.
F64			JM27000273	STEP	1	PC.
F65			JM27000272	BUSH	1	PC.

Item No	Type	Ref	Part No	Description	Qty	Unit
F66			JM27000271	SPRING	1	PC.
F67			JM27000270	SCREW	1	PC.
F68			JM27000269	BRACKET	1	PC.
F69			JM27000268	RIVET 6X10	2	PC.
F70			JM27000024	FLAT WASHER 6	1	PC.
F71			JM27000017	SPRING WASHER 6	1	PC.
F72			JM27000137	HEX.NUT M6X12	1	PC.
F73			JM27000255	HEX.NUT M10	2	PC.
F74			JM27000003	FLAT WASHER 10	4	PC.
F75			JM27000266	WHEEL	2	PC.
F76			JM27000265	BUSH	2	PC.
F77			JM27000253	BOLT	1	PC.
F78			JM27000267	WHEEL ASSEMBLY	2	PC.
		INC.		Item No. F64-F77		
F79			JM27000042	CROSS HEAD SCREW M5X10	1	PC.
F80			JM27000048	SPRING WASHER 5	1	PC.
F81			JM27000155	FLAT WASHER 5	1	PC.
F82			JM27080058	OPERATION LABEL	1	PC.
F83			JM27080059	STAND WARNING LABEL	1	PC.
F84			JM27080062	WARNING LABEL	1	PC.
F87			JM27000390	RING 12.5	1	PC.
F88			JM27000391	RING 3	1	PC.
F89			JM27000392	OUTER FLANGE 30	1	PC.
C01	1		JM2708A033	CARTON F/ MLT100	1	PC.
	2		JM27080087	CARTON F/ MLT100	1	PC.
<b><u>ACCESSORIES</u></b>						
A01			JM27000086	PUSH STICK	1	PC.
A02			JM27000087	WRENCH B	2	PC.
A03			JM27000328	TRIANGLE PLATE	1	PC.
A04			JM27000329	WRENCH	1	PC.
A05			JM27000202	RIP FENCE ASSEMBLY	1	PC.
		INC.		Item No. 121, 158-166, 168-173, 175-176,		
		INC.		418, 435, 458, 484, 500, 501, 521		
A06			JM27000421	MITER GUAGE ASSEMBLY	1	PC.
		INC.		Item No. 92, 157, 174, 177-195, 379, 452, 483, 485, 523		
A07	1		JM27000382	UP BLADE GUARD ASSEMBLY	1	PC.
				Item No. 288,327-353,355-363, 366-374, 544-564		
	2		122933-0	UP BLADE GUARD ASSEMBLY	1	PC.
				Item No. 288,327-353,355-363, 366-374, 544-564		
A08			JM27000300	STAND SET	1	PC.
		INC.		Item No. F02-F63,F78-F84		
A09			JM27000420	DADO TABLE INSERT	1	PC.
A10			JM27000550	DADO TABLE INSERT SET	1	SET
		INC.		Item No. F87-F89		
A11			A-94948	10" C.T. SAW BLADE 32T	1	PC.